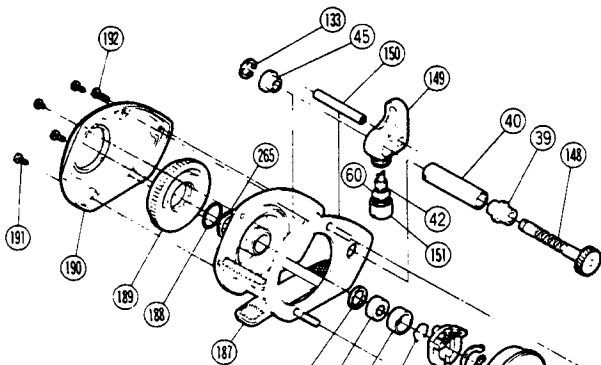


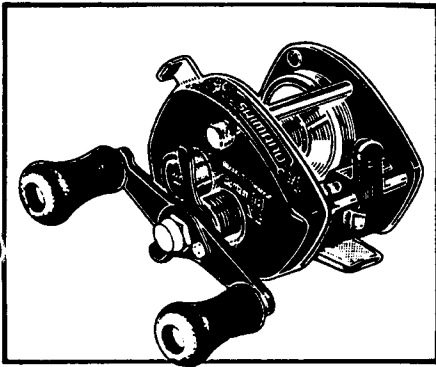
SHIMANO®

1987 REPAIR MANUAL

Shimano American Corporation, One Shimano Dr.
Irvine, CA 92718



EXPLODED PARTS VIEW



TO ORDER:
This reel belongs to the "Bantam" series.
Please order parts using the abbreviation
"BNT" and the part number.

BANTAM® MAG 10 SG

PARTS LIST

PART# DESCRIPTION

- 1. Handle Nut Lock Screw
- 2. Handle Nut
- 4. Drive Shaft Retainer Screw
- 6. Friction Washer
- 9. Cast Control Spacer
- 11. Right Side Plate Screw
- 13. Drive Shaft Bearing
- 14. Drag Spring Washer
- 15. "D" Washer
- 16. Drag Spacer
- 17. Pressure Plate
- 18. Drag Washer
- 19. Drive Gear
- 20. Base Drag Washer
- 21. Anti Reverse Ratchet
- 22. Drive Shaft
- 24. Pinion Yoke Spring
- 25. Pinion Yoke
- 26. Drive Shaft Shim

PART# DESCRIPTION

- 27. Retractor Spring #1
- 28. Anti Reverse Dog
- 29. Retractor Spring #2
- 32. Bearing Lock
- 35. Left Bearing Spacer
- 39. Level Wind Bearing Right
- 40. Level Wind Guard
- 42. Level Wind Pawl
- 45. Level Wind Bearing Left
- 60. Pawl Shim (Optional)
- 133. Level Wind Gear Lock
- 138. Handle Nut Lock Plate
- 140. Drag Tri-Star
- 141. Cast Control Cap
- 144. Set Plate
- 145. Spool Shaft Bushing
- 148. Level Wind Gear
- 149. Line Guide
- 150. Stabilizer Bar

PART# DESCRIPTION

- 151. Pawl Cap
- 154. Felt Oil Retainer
- 178. Handle
- 179. Cast Control Bushing
- 180. Right Side Plate
- 181. Pinion Gear
- 182. Spool Shaft Bushing
- 183. Spool (Old Style)
- 184. Magnet Retainer Lock
- 185. Magnet Retainer
- 186. Bearing Spacer
- 187. Frame
- 188. O Ring
- 189. Magnetic Control Dial
- 190. Left Side Plate
- 191. Left Side Plate Screw
- 192. Left Stabilizer Bar Screw
- 265. Thrust Washer
- 325. Spool (convertible)
- 326. V-Spool Converter*

Prices and specifications subject to change without notice

*Can only be used with 325 spool.